

Four Seasons Windpower

**Optional Grid Tied Inverter's (Meets CE, IEEE)*



Island Breeze™ 1.5KW \$1,388

Island Breeze™ 1.5KW no transformer 120 VAC
\$1,591

Breeze™ 2KW \$1,728

Breeze™ 2.5KW \$1,821

JetStream™ 3KW 120 VAC \$2,042

Tradewind™ 5KW \$3,342

Tradewind™ 5KW 120 VAC \$4,196

Rancher™ 10KW \$7,917

Villager™ 20KW \$12,799

VAWT 30KW 3 phase 380 VAC no transformer \$10,296

VAWT 100KW \$42,198

VAWT 100KW 3 phase 380 VAC no transformer \$56,004

Our small wind turbine grid-connected power systems include the small wind turbine dump load, grid -connected inverter, meter, and power switchboard. When wind speed reaches the turbine cut-in-speed, the AC power from the wind turbine will be fed into the utility grid after rectifying and inverting. If the wind speed is too large, part of the dump load will be connected to the wind turbine to keep the constant power to feed into the utility grid.

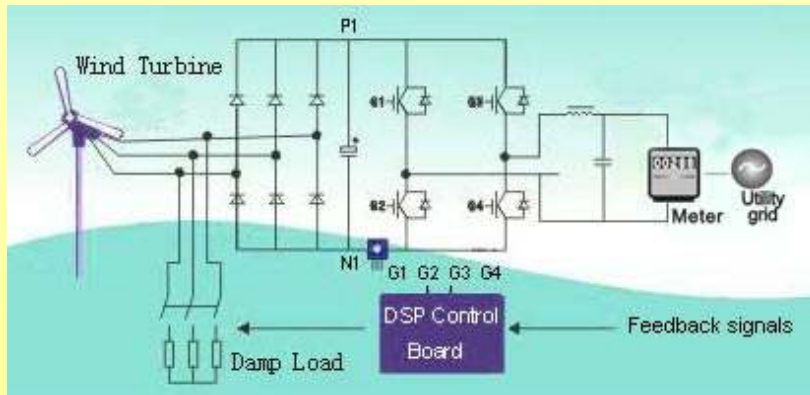
***These inverters are for use outside of the U.S. only!**

Currently these units do not meet UL1741.

--Always select equal size or higher output inverters for wind generators--

--Inverters may be used with our vertical axis (VAWT) or our horizontal axis (HAWT) machines--

--Please specify 50/60hz when ordering. 2-year warranty on all units--



Specification Parameters:

TYPE Parameter	1.5KW	3KW	5KW	10KW	20KW	50KW	100KW
Wind turbine power	1.5KW	3KW	5KW	10KW	20KW	50KW	100KW
Wind turbine voltage	40-140V Three-phase three-wire	140~320V Three-phase three-wire	140-320V Three-phase three-wire		380-600V Three-phase three-wire		
Wind turbine frequency	20-60Hz	30-60Hz			35-75		
Wind turbine current	10A	12A	20A	40A	28A	70A	140A
Inverter output current	7A	14A	25A	50A	35A	90A	175A
Operating range utility voltage	180~260V single-phase				310~450 Three-phase		
Operating range utility frequency	470~51.5 (can be set)						
Converter Power	1.5KW	3KW	5KW	10KW	20KW	50KW	100KW
Over loading capacity	120%						
Protection function	Dump load protection, Grid voltage abnormal protection, Wind turbine voltage abnormal protection, Islanding protection, Over load protection, Over heat protection, Lightning protection						
Size (W x H x D)	288 x 505 x 126 mm	380 x 517 x 272 mm		600 x 1400 x 250 mm		600 x 1600 x 470 mm	800 x 2260 x 600 mm
Weight	14kg	25Kg	30kg	70kg	88kg	130kg	200kg